

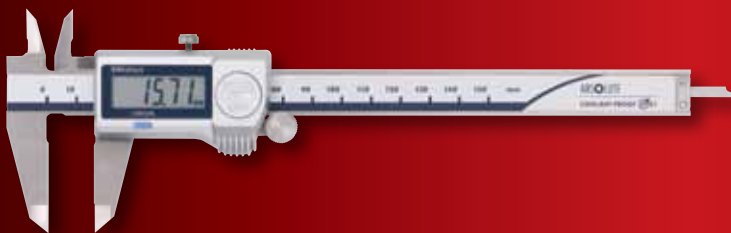
## Digital Caliper with waterproof scale **IP67 ABSOLUTE** Coolant Proof Caliper



Can be used in environments with heavy exposure to coolants.



Small Tool Instruments and Data Management



- Patent registered in Japan, U.S.A., China, Germany, U.K., France, Switzerland, and India.
- Design pending application in Japan, U.S.A., EU member nations, and China.



# Digital Caliper with waterproof scale IP67 ABSOLUTE Coolant Proof Caliper



## Features

- ABS Coolant Proof Caliper with Dust/Water Protection conforming to IP67 Level. Can be used in workshop conditions exposed to coolant, water, dust or oil. 100% air-leak test ensures every caliper conforms to IP67.
- Font height is 9mm (increased by 22%) and visibility is improved.
- Battery cap does not require a screw driver for battery replacement.
- Extended battery life of 5 years due to low-current integrated circuit.
- Easy to use — advanced ergonomic design uses only 1 button.
- Incorporates Mitutoyo's ABSOLUTE measurement system. No need to reset the origin.



Battery cap

- The automatic power-on/off function shuts down the LCD display after 20 minutes inactivity, but the ABS scale origin is unaffected. Power is restored to the display when the slider is moved.
- Stepped features can be measured.
- Can be integrated into statistical process control and measurement systems.
- An inspection certificate is supplied as standard. (However, this cannot be used as a calibration certificate as it is undated.)

## Specifications

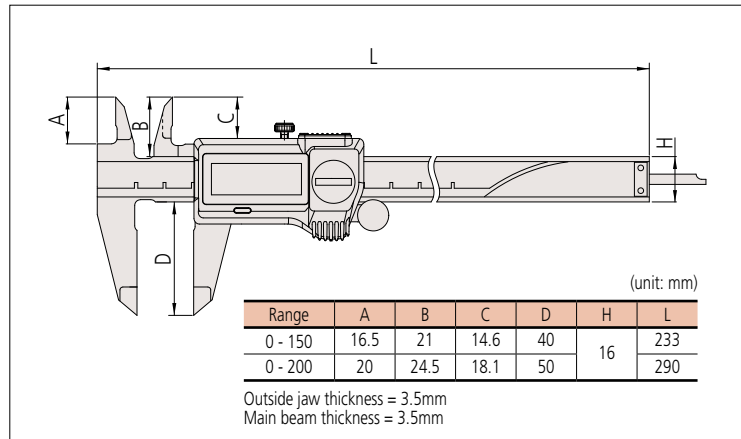
Metric							
Order No.	Range	Accuracy*	Mass	Measurement data output port	Thumb roller	Remarks	
500-702-20	0 - 150mm	±0.02mm	168g	—	—		
500-703-20	0 - 200mm		198g				
500-712-20	0 - 150mm		168g				
500-713-20	0 - 200mm		198g				
500-719-20	0 - 150mm		168g				
500-721-20	0 - 150mm		168g				
500-722-20	0 - 200mm		198g			✓	Carbide-tipped jaws for outside measurement
500-723-20	0 - 150mm		168g				Carbide-tipped jaws for outside and inside measurement
500-724-20	0 - 200mm		198g				

\* Not including quantizing error of ±1 count in LSD

Inch/Metric								
Order No.	Range	Accuracy*	Mass	Measurement data output port	Thumb roller	Remarks		
500-731-20	0 - 6"	±.001"/ ±0.02mm	168g	—	—	Carbide-tipped jaws for outside measurement		
500-732-20	0 - 8"		198g					
500-733-20	0 - 6"		168g					
500-734-20	0 - 8"		198g					
500-735-20	0 - 6"		168g					
500-736-20	0 - 8"		198g			✓	Carbide-tipped jaws for outside measurement	
500-737-20	0 - 6"		168g				✓	Carbide-tipped jaws for outside and inside measurement
500-738-20	0 - 8"		198g					
500-752-20	0 - 6"		168g					
500-753-20	0 - 8"		198g					
500-762-20	0 - 6"	168g	✓					
500-763-20	0 - 8"	198g						
500-768-20	0 - 6"	168g			Depth bar ø1.9mm			
500-769-20	0 - 6"	168g	✓		Depth bar ø1.9mm			

\* Not including quantizing error of ±1 count in LSD

## DIMENSIONS



## Technical Data

- Resolution: 0.01 mm or .0005"/0.01 mm
- Repeatability: 0.01 mm or .0005"/0.01 mm
- Power supply: **SR44** (1 pc), **938882**, for initial operational checks (standard accessory)
- Battery life: Approx. 5 years under normal use
- Max. response speed: Unlimited

## Optional accessories

Dedicated for the models equipped with a digimatic output function.

### ● Connecting cables for IT/DP/MUX

No.05CZA624: SPC cable with data button (1m)

No.05CZA625: SPC cable with data button (2m)

### ● USB Input Tool Direct

No.06ADV380A: SPC cable for USB-ITN-A (2m)

### ● Connecting cables for U-WAVE-T

No.02AZD790A: SPC cable for U-WAVE with data button (160mm)

No.02AZE140A: SPC cable for footswitch



Note: Product illustrations are without obligation. Product descriptions, in particular any and all technical specifications, are only binding when explicitly agreed upon. MITUTOYO and MiCAT are either registered trademarks or trademarks of Mitutoyo Corp. in Japan and/or other countries/regions. Other product, company and brand names mentioned herein are for identification purposes only and may be the trademarks of their respective holders.

# Mitutoyo

Mitutoyo Asia Pacific Pte. Ltd.

Company Reg No. 197800892N

24 Kallang Avenue, Mitutoyo Building, Singapore 339415

Tel: (65) 6294 2211 Fax: (65) 6299 6666 E-mail: mapsg@mitutoyo.com.sg



www.mitutoyo.com.sg

**Mitutoyo (Malaysia) Sdn. Bhd.**

Tel: (60)3-7845 9318

Fax: (60)3-7845 9346

E-mail: mmsb@mitutoyo.com.my

**Penang Branch**

Tel: (60)4-641 1998 Fax: (60)4-641 2998

E-mail: mmsbpen@mitutoyo.com.my

**Johor Branch**

Tel: (60)7-352 1626 Fax: (60)7-352 1628

E-mail: mmsbjhr@mitutoyo.com.my

**Mitutoyo (Thailand) Co., Ltd.**

Tel: (66)2-521 6130

Fax: (66)2-521 6136

E-mail: office@mitutoyo.co.th

**Chonburi Branch**

Tel: (66)3-834 5783 Fax: (66)3-834 5788

**Amata Nakorn Branch**

Tel: (66)3-846 8976 Fax: (66)3-846 8978

**PT. Mitutoyo Indonesia**

Tel: (62)21-2962 8600

Fax: (62)21-2962 8604

E-mail: ptmi@mitutoyo.co.id

**Mitutoyo Vietnam Co., Ltd.**

Tel: (84)4-3768 8963

Fax: (84)4-3768 8960

E-mail: mvc-hn@mitutoyo.com.vn

**Ho Chi Minh City Branch**

Tel: (84)8-3517 4561

Fax: (84)8-3517 4582

E-mail: mvc-hcmc@mitutoyo.com.vn

**Mitutoyo Philippines, Inc.**

Tel: (63)49-544 0272

Fax: (63)49-544 0272

E-mail: mpi@mitutoyo.com.ph