

Bore Gages for Blind Holes

New model measures blind-hole diameter with high accuracy and high durability

SMALL TOOL INSTRUMENTS
AND DATA MANAGEMENT

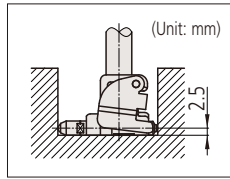


NEW
Products

Bore Gages for Blind Holes

FEATURES

- Capable of ID (inside diameter) measurement close to the bottom of a hole.
- Pendulum guide structure improves sliding.
- Carbide contact faces for durability.
- Grip is large and hollow to reduce effect of body heat on high-accuracy measurements.
- Extension rods (optional) can be attached for measuring deep holes.



- A Bore Gage Checker and a range of Setting Rings are available to aid in accurately setting a gage before making a measurement.
- Alternative indicators may be used in place of those recommended*.

* Some indicators and protection covers cannot be used with these bore gages. Contact a Mitutoyo sales office if considering the use of Dial or Digimatic indicators other than the recommended models.



511-426



511-427

SPECIFICATIONS

Order No.	511-415	511-425	511-435	511-416	511-426	511-436	511-417	511-427	511-437
Measuring range	15-35mm		35-60mm			50-150mm			
Indicators (low/high resolution)	-	2046SB	2109SB-10	-	2046SB	2109SB-10	-	2046SB	2109SB-10
Accuracy	Wide-range accuracy				4µm				
	Repeatability				1µm				
	Adjacent error				1µm				
Effective stroke of contact rod					1.2mm				
No. of anvils	11				6			11	
No. of replacement washers	1				4			4	

Order No.	511-418	511-428	511-438	511-419	511-429	511-439	511-420	511-430	511-440
Measuring range	.6"-1.4"			1.4"-2.4"			2"-6"		
Indicators (low/high resolution)	-	2922SB	2923SB-10	-	2922SB	2923SB-10	-	2922SB	2923SB-10
Accuracy	Wide-range accuracy				.00016"				
	Repeatability				.00004"				
	Adjacent error				.00004"				
Effective stroke of contact rod					.047"				
No. of anvils	11				6			11	
No. of replacement washers	1				4			4	

Notes: 1) A 10mm (.4") sub-anvil is supplied with 511-415/425/435/418/428/438 and a 50mm (2") sub-anvil is supplied with 511-417/427/437/420/430/440.

2) It is not permissible to use a sub-anvil other than as supplied as a standard accessory, or widen a measuring range by using multiple sub-anvils. (The measurement accuracy in such cases is not guaranteed.)

Recommended dial indicators

Metric : 2046SB (0.01mm)
 models 2972TB (0.01mm - One revolution type)
 2109SB-10 (0.001mm)
 2905SB-10 (0.001mm - One-revolution type)

Inch : 2922SB (.0005")
 models 2977TB (.0005" - One-revolution type)
 2923SB-10 (.0001")
 2910SB-10 (.0001" - One-revolution type)

Recommended digimatic indicators

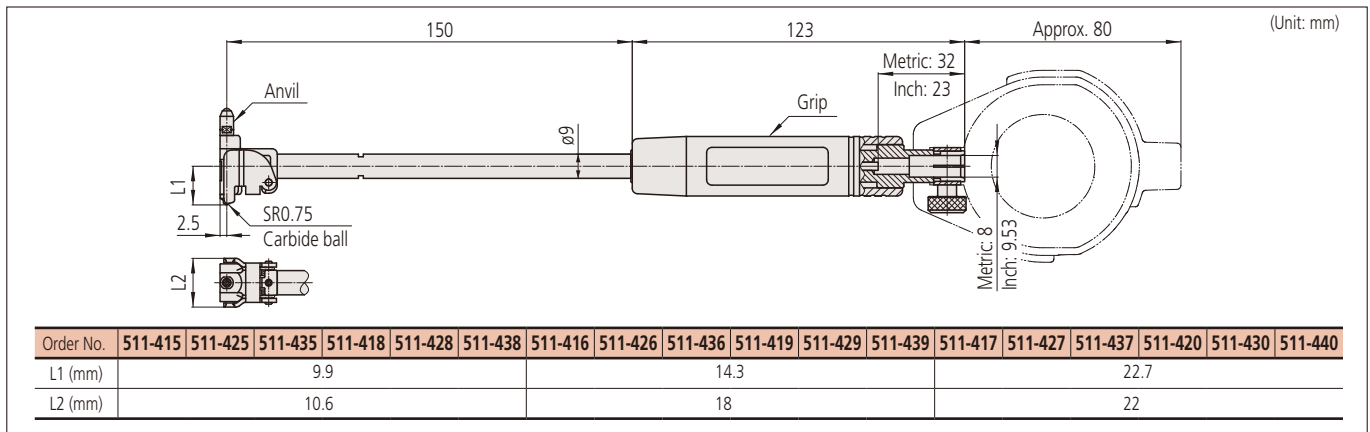
Metric models: 543-310B (0.001mm)
 Inch models: 543-312B (0.001mm/.00005")
 Note: Indicators equipped with rubber bellows, such as waterproof types, cannot be used.

For Bore Gage Applications



543-310B

DIMENSIONS



Mitutoyo Asia Pacific Pte. Ltd. Company Reg No. 197800892N
 24 Kallang Avenue, Mitutoyo Building, Singapore 339415
 Tel: (65) 6294 2211 Fax: (65) 6299 6666 E-mail: mapsg@mitutoyo.com.sg

www.mitutoyo.com.sg | www.mitutoyo.com.my
 www.mitutoyo.co.th | www.mitutoyo.co.id
 www.mitutoyo.com.vn | www.mitutoyo.com.ph



Mitutoyo (Malaysia) Sdn. Bhd.
 Mah Sing Integrated Industrial Park,
 4, Jalan Utarid U5/14, Section U5,
 40150 Shah Alam, Selangor, Malaysia
 Tel: (60) 3-7845 9318
 Fax: (60) 3-7845 9346
 E-mail: mmsb@mitutoyo.com.my
Penang Branch
 Tel: (60) 4-641 1998
 Fax: (60) 4-641 2998
Johor Branch
 Tel: (60) 7-352 1626
 Fax: (60) 7-352 1628

Mitutoyo (Thailand) Co., Ltd.
 76/3-5, Chaengwattana Road, Kwaeng
 Anusaawaree, Khet Bangkaen,
 Bangkok 10220, Thailand
 Tel: (66) 2080 3500
 Fax: (66) 2521 6136
 E-mail: office@mitutoyo.co.th
Chonburi Branch
 Tel: (66) 2080 3563
 Fax: (66) 3834 5788
ACC Branch
 Tel: (66) 2080 3565

PT. Mitutoyo Indonesia
 Jalan Sriwijaya No.26
 Desa cibatu
 Kec. Cikarang Selatan
 Kab. Bekasi 17530, Indonesia
 Tel: (62) 21-2962 8600
 Fax: (62) 21-2962 8604
 E-mail: ptmi@mitutoyo.co.id

Mitutoyo Vietnam Co., Ltd.
 1st & 2nd Floor, MHD1 Building,
 No. 60 Hoang Quoc Viet Road,
 Nghia Do Ward, Cau Giay District,
 Hanoi, Vietnam
 Tel: (84) 24-3768 8963
 Fax: (84) 24-3768 8960
 E-mail: mvc@mitutoyo.com.vn
Ho Chi Minh City Branch
 Tel: (84) 28-3840 3489
 Fax: (84) 28-3840 3498
Hai Phong City Branch
 Tel: (84)22-5398 9909

Mitutoyo Philippines, Inc.
 Unit 1B & 2B LTI,
 Administration Building 1,
 Annex 1, North Main Avenue,
 Laguna Technopark, Biñan,
 Laguna 4024, Philippines
 Tel: (63) 49-544 0272
 Fax: (63) 49-544 0272
 E-mail: mpi@mitutoyo.com.ph