

ARBOR

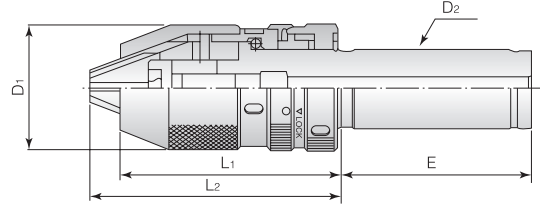
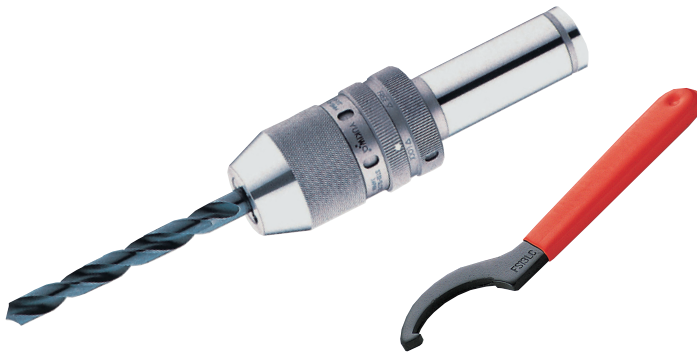
หัวจับ



หัวจับดอกสว่าน

SUPER KEYLESS DREAM CHUCK - ST SHANK

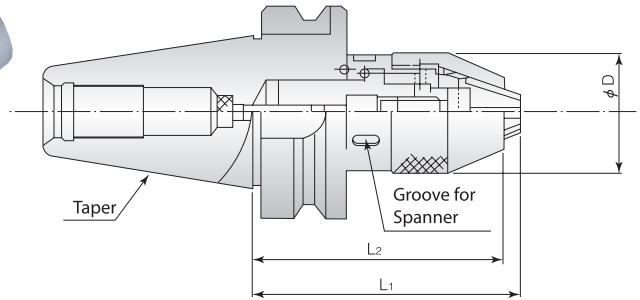
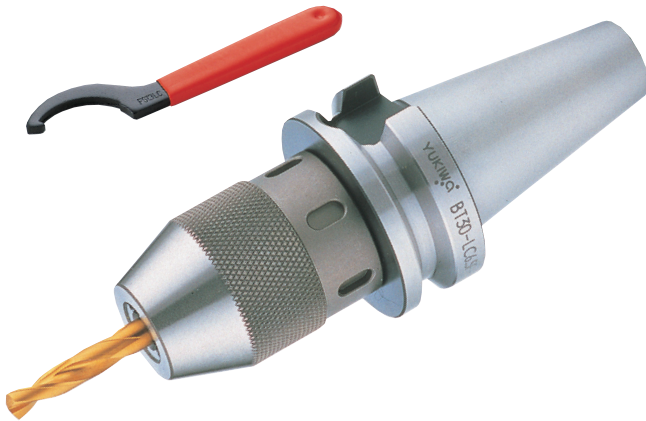
Drill Chuck



Order No.	Capacity	D1	L1	L2	D2	E	Attached Spanner	Weight (kg)
ST20-SLC13-150	0.5 ~ 13	51	90.5	103	ST20	60	FS13LC	1.2
ST25-SLC13-160	0.5 ~ 13	51	90.5	103	ST25	70	FS13LC	1.3
ST32-SLC13-170	0.5 ~ 13	51	90.5	103	ST32	80	FS13LC	1.5

หัวจับดอกสว่าน

CNC KEYLESS DRILL CHUCKS WITH BT SHANK - Pioneer in One-unit Structure. High Quality



Order No.	Capacity	D1	L1	L2	Taper	Attached Spanner	Weight (kg)	
BT30	-LC6.5F-70	0.5 ~ 6.5	34	76	BT30	FS6.5LC	0.7	
	-LC13F-90	0.5 ~ 13	50	102		FS13LC	1.2	
BT40	-LC6.5F-75	0.5 ~ 6.5	34	81	BT40	FS6.5LC	1.2	
	-LC6.5F-115			121			115	1.4
	-LC6.5F-155	161	155	1.7				
	-LC13F-95	107	95	1.7				
	-LC13F-135	0.5 ~ 13	50	147		135	FS13LC	2.3
	-LC13F-175			187		175		2.8
	-LC16F-100	3 ~ 16	56	113		100	FS16LC	2.0
	-LC16F-140			153		140		2.8
	-LC16F-180			190		180		3.4
	-LC6.5F-85			0.5 ~ 6.5		34		91
-LC6.5F-130	136	130	4.1					
-LC6.5F-175	181	175	4.3					
BT50	-LC13F-105	0.5 ~ 13	50	117	BT50	FS13LC	4.3	
	-LC13F-150			162			150	4.9
	-LC13F-195	207	195	5.4				
	-LC16F-110	3 ~ 16	56	123		110	FS16LC	4.6
	-LC16F-155			168		155		5.3
	-LC16F-200			208		200		6.0