

Order No.	Size			
	Diameter	Thickness	Hole Dia.	Number of teeth
	D	T	d	NT
SCV300X220	300	22	31.75	48
SCV300X240	300	24	31.75	48
SCV300X250	300	25	31.75	48
SCV300X260	300	26	31.75	48

Order No.	Size			
	Diameter	Thickness	Hole Dia.	Number of teeth
	D	T	d	NT
SCV300X280	300	28	31.75	48
SCV300X300	300	30	31.75	48
SCV300X320	300	32	31.75	48

Inch size

Order No.	Size			
	Diameter	Thickness	Hole Dia.	Number of teeth
	D	T	d	NT
SCTH075X3.175	75	3.175	25.4	24
SCTH075X6.35	75	6.35	25.4	24
SCTH075X9.525	75	9.525	25.4	22
SCTH075X12.7	75	12.7	25.4	22
SCTH075X15.875	75	15.875	25.4	22
SCTH075X19.05	75	19.05	25.4	22
SCTH075X22.225	75	22.225	25.4	22
SCTH075X25.4	75	25.4	25.4	22
SCTH100X3.175	100	3.175	25.4	28
SCTH100X6.35	100	6.35	25.4	28
SCTH100X9.525	100	9.525	25.4	26
SCTH100X12.7	100	12.7	25.4	26
SCTH100X15.875	100	15.875	25.4	26

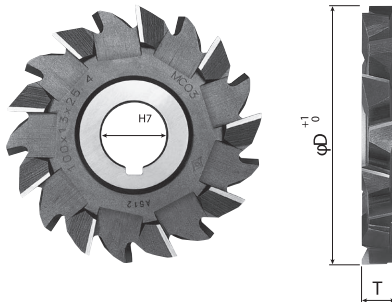
Order No.	Size			
	Diameter	Thickness	Hole Dia.	Number of teeth
	D	T	d	NT
SCTH100X19.05	100	19.05	25.4	26
SCTH100X22.225	100	22.225	25.4	26
SCTH100X25.4	100	25.4	25.4	26
SCTH125X3.175	125	3.175	25.4	32
SCTH125X4.763	125	4.763	25.4	32
SCTH125X6.35	125	6.35	25.4	32
SCTH125X7.938	125	7.938	25.4	30
SCTH125X9.525	125	9.525	25.4	30
SCTH125X12.7	125	12.7	25.4	30
SCTH125X15.875	125	15.875	25.4	28
SCTH125X19.05	125	19.05	25.4	28
SCTH125X22.225	125	22.225	25.4	28
SCTH125X25.4	125	25.4	25.4	28

CUTTER

คัตเตอร์

Cutter
คัตเตอร์

ใบเลื่อยวงเดือนคม 3 หน้า ฟันสลับ รุ่น SS STAGGERED SIDE MILLING CUTTERS



Tolerance of thickness (T)

Thickness	Tolerance
3.0 or less	+0.060 0
6.0 or less exceeding 3.0	+0.075 0
10.0 or less exceeding 6.0	+0.090 0
18.0 or less exceeding 10.0	+0.110 0
30.0 or less exceeding 18.0	+0.130 0
50.0 or less exceeding 30.0	+0.160 0



- Wide variety of diameters and thickness
- Ideal for heavy cutting
- Uses MCO material (Cobalt high-speed steel)

Hole Dia. Ø25.4

Order No.	Size			
	Diameter	Thickness	Hole Dia.	Number of teeth
	D	T	d	NT
SST075X030	75	3	25.4	18
SST075X035	75	3.5	25.4	18
SST075X040	75	4	25.4	18
SST075X045	75	4.5	25.4	18
SST075X050	75	5	25.4	18
SST075X055	75	5.5	25.4	18
SST075X060	75	6	25.4	18
SST075X065	75	6.5	25.4	18
SST075X070	75	7	25.4	18
SST075X075	75	7.5	25.4	18
SST075X080	75	8	25.4	18
SST075X085	75	8.5	25.4	18
SST075X090	75	9	25.4	18
SST075X095	75	9.5	25.4	18
SST075X100	75	10	25.4	18
SST075X110	75	11	25.4	18

Order No.	Size			
	Diameter	Thickness	Hole Dia.	Number of teeth
	D	T	d	NT
SST075X120	75	12	25.4	18
SST075X130	75	13	25.4	16
SST075X140	75	14	25.4	16
SST075X150	75	15	25.4	16
SST075X160	75	16	25.4	16
SST075X170	75	17	25.4	16
SST075X180	75	18	25.4	16
SST075X190	75	19	25.4	16
SST075X200	75	20	25.4	16
SST075X210	75	21	25.4	16
SST075X220	75	22	25.4	16
SST075X230	75	23	25.4	16
SST075X240	75	24	25.4	16
SST075X250	75	25	25.4	16
SST075X260	75	26	25.4	16
SST075X270	75	27	25.4	16

CUTTER

คัตเตอร์



Cutter
คัตเตอร์

CUTTER

คัตเตอร์

Cutter

คัตเตอร์

Order No.	Size			
	Diameter	Thickness	Hole Dia.	Number of teeth
	D	T	d	NT
SST075X280	75	28	25.4	16
SST075X290	75	29	25.4	16
SST075X300	75	30	25.4	16
SST075X320	75	32	25.4	16
SST075X350	75	35	25.4	16
SST100X030	100	3	25.4	20
SST100X035	100	3.5	25.4	20
SST100X040	100	4	25.4	20
SST100X045	100	4.5	25.4	20
SST100X050	100	5	25.4	20
SST100X055	100	5.5	25.4	20
SST100X060	100	6	25.4	20
SST100X065	100	6.5	25.4	20
SST100X070	100	7	25.4	20
SST100X075	100	7.5	25.4	20
SST100X080	100	8	25.4	20
SST100X085	100	8.5	25.4	20
SST100X090	100	9	25.4	20
SST100X095	100	9.5	25.4	20
SST100X100	100	10	25.4	20
SST100X110	100	11	25.4	20
SST100X120	100	12	25.4	20
SST100X130	100	13	25.4	18
SST100X140	100	14	25.4	18
SST100X150	100	15	25.4	18
SST100X160	100	16	25.4	18
SST100X170	100	17	25.4	18
SST100X180	100	18	25.4	18
SST100X190	100	19	25.4	18
SST100X200	100	20	25.4	18
SST100X210	100	21	25.4	18
SST100X220	100	22	25.4	18
SST100X230	100	23	25.4	18
SST100X240	100	24	25.4	18
SST100X250	100	25	25.4	18
SST100X260	100	26	25.4	18
SST100X270	100	27	25.4	18
SST100X280	100	28	25.4	18
SST100X290	100	29	25.4	18
SST100X300	100	30	25.4	18
SST100X320	100	32	25.4	18
SST100X350	100	35	25.4	18
SST125X030	125	3	25.4	22
SST125X035	125	3.5	25.4	22
SST125X040	125	4	25.4	22
SST125X045	125	4.5	25.4	22
SST125X050	125	5	25.4	22
SST125X055	125	5.5	25.4	22
SST125X060	125	6	25.4	22
SST125X065	125	6.5	25.4	22
SST125X070	125	7	25.4	22
SST125X075	125	7.5	25.4	22
SST125X080	125	8	25.4	22
SST125X085	125	8.5	25.4	22
SST125X090	125	9	25.4	22
SST125X095	125	9.5	25.4	22
SST125X100	125	10	25.4	22
SST125X110	125	11	25.4	22
SST125X120	125	12	25.4	22
SST125X130	125	13	25.4	20
SST125X140	125	14	25.4	20
SST125X150	125	15	25.4	20
SST125X160	125	16	25.4	20
SST125X170	125	17	25.4	20
SST125X180	125	18	25.4	20
SST125X190	125	19	25.4	20
SST125X200	125	20	25.4	20
SST125X210	125	21	25.4	20
SST125X220	125	22	25.4	20

Order No.	Size			
	Diameter	Thickness	Hole Dia.	Number of teeth
	D	T	d	NT
SST125X230	125	23	25.4	20
SST125X240	125	24	25.4	20
SST125X250	125	25	25.4	20
SST125X260	125	26	25.4	20
SST125X270	125	27	25.4	20
SST125X280	125	28	25.4	20
SST125X290	125	29	25.4	20
SST125X300	125	30	25.4	20
SST125X320	125	32	25.4	20
SST125X350	125	35	25.4	20
SST150X030	150	3	25.4	24
SST150X035	150	3.5	25.4	24
SST150X040	150	4	25.4	24
SST150X045	150	4.5	25.4	24
SST150X050	150	5	25.4	24
SST150X055	150	5.5	25.4	24
SST150X060	150	6	25.4	24
SST150X065	150	6.5	25.4	24
SST150X070	150	7	25.4	24
SST150X075	150	7.5	25.4	24
SST150X080	150	8	25.4	24
SST150X085	150	8.5	25.4	24
SST150X090	150	9	25.4	24
SST150X095	150	9.5	25.4	24
SST150X100	150	10	25.4	24
SST150X110	150	11	25.4	24
SST150X120	150	12	25.4	24
SST150X130	150	13	25.4	22
SST150X140	150	14	25.4	22
SST150X150	150	15	25.4	22
SST150X160	150	16	25.4	22
SST150X170	150	17	25.4	22
SST150X180	150	18	25.4	22
SST150X190	150	19	25.4	22
SST150X200	150	20	25.4	22
SST150X210	150	21	25.4	22
SST150X220	150	22	25.4	22
SST150X230	150	23	25.4	22
SST150X240	150	24	25.4	22
SST150X250	150	25	25.4	22
SST150X260	150	26	25.4	22
SST150X270	150	27	25.4	22
SST150X280	150	28	25.4	22
SST150X290	150	29	25.4	22
SST150X300	150	30	25.4	22
SST150X320	150	32	25.4	22
SST150X350	150	35	25.4	22
SST175X040	175	4	25.4	26
SST175X050	175	5	25.4	26
SST175X060	175	6	25.4	26
SST175X070	175	7	25.4	26
SST175X080	175	8	25.4	26
SST175X090	175	9	25.4	26
SST175X100	175	10	25.4	26
SST175X110	175	11	25.4	26
SST175X120	175	12	25.4	26
SST175X130	175	13	25.4	24
SST175X140	175	14	25.4	24
SST175X150	175	15	25.4	24
SST175X160	175	16	25.4	24
SST175X170	175	17	25.4	24
SST175X180	175	18	25.4	24
SST175X190	175	19	25.4	24
SST175X200	175	20	25.4	24
SST175X220	175	22	25.4	24
SST175X240	175	24	25.4	24
SST175X250	175	25	25.4	24
SST175X260	175	26	25.4	24
SST175X280	175	28	25.4	24

Order No.	Size			
	Diameter	Thickness	Hole Dia.	Number of teeth
	D	T	d	NT
SST175X300	175	30	25.4	24
SST175X320	175	32	25.4	24
SST200X040	200	4	25.4	28
SST200X050	200	5	25.4	28
SST200X060	200	6	25.4	28
SST200X070	200	7	25.4	28
SST200X080	200	8	25.4	28
SST200X090	200	9	25.4	28
SST200X100	200	10	25.4	28
SST200X110	200	11	25.4	28
SST200X120	200	12	25.4	28
SST200X130	200	13	25.4	26
SST200X140	200	14	25.4	26
SST200X150	200	15	25.4	26
SST200X160	200	16	25.4	26
SST200X170	200	17	25.4	26
SST200X180	200	18	25.4	26
SST200X190	200	19	25.4	26
SST200X200	200	20	25.4	26
SST200X220	200	22	25.4	26
SST200X240	200	24	25.4	26
SST200X250	200	25	25.4	26
SST200X260	200	26	25.4	26

Order No.	Size			
	Diameter	Thickness	Hole Dia.	Number of teeth
	D	T	d	NT
SST200X280	200	28	25.4	26
SST200X300	200	30	25.4	26
SST200X320	200	32	25.4	26
SST250X080	250	8	25.4	32
SST250X090	250	9	25.4	32
SST250X100	250	10	25.4	32
SST250X110	250	11	25.4	32
SST250X120	250	12	25.4	32
SST250X130	250	13	25.4	30
SST250X140	250	14	25.4	30
SST250X150	250	15	25.4	30
SST250X160	250	16	25.4	30
SST250X170	250	17	25.4	30
SST250X180	250	18	25.4	30
SST250X190	250	19	25.4	30
SST250X200	250	20	25.4	30
SST250X220	250	22	25.4	30
SST250X240	250	24	25.4	30
SST250X250	250	25	25.4	30
SST250X260	250	26	25.4	30
SST250X280	250	28	25.4	30
SST250X300	250	30	25.4	30
SST250X320	250	32	25.4	30

Hole Dia. Ø31.75

Order No.	Size			
	Diameter	Thickness	Hole Dia.	Number of teeth
	D	T	d	NT
SSV075X030	75	3	31.75	18
SSV075X035	75	3.5	31.75	18
SSV075X040	75	4	31.75	18
SSV075X045	75	4.5	31.75	18
SSV075X050	75	5	31.75	18
SSV075X055	75	5.5	31.75	18
SSV075X060	75	6	31.75	18
SSV075X065	75	6.5	31.75	18
SSV075X070	75	7	31.75	18
SSV075X075	75	7.5	31.75	18
SSV075X080	75	8	31.75	18
SSV075X085	75	8.5	31.75	18
SSV075X090	75	9	31.75	18
SSV075X095	75	9.5	31.75	18
SSV075X100	75	10	31.75	18
SSV075X110	75	11	31.75	18
SSV075X120	75	12	31.75	18
SSV075X130	75	13	31.75	16
SSV075X140	75	14	31.75	16
SSV075X150	75	15	31.75	16
SSV075X160	75	16	31.75	16
SSV075X170	75	17	31.75	16
SSV075X180	75	18	31.75	16
SSV075X190	75	19	31.75	16
SSV075X200	75	20	31.75	16
SSV075X210	75	21	31.75	16
SSV075X220	75	22	31.75	16
SSV075X230	75	23	31.75	16
SSV075X240	75	24	31.75	16
SSV075X250	75	25	31.75	16
SSV075X260	75	26	31.75	16
SSV075X270	75	27	31.75	16
SSV075X280	75	28	31.75	16
SSV075X290	75	29	31.75	16
SSV075X300	75	30	31.75	16
SSV075X320	75	32	31.75	16
SSV075X350	75	35	31.75	16
SSV100X030	100	3	31.75	20
SSV100X035	100	3.5	31.75	20

Order No.	Size			
	Diameter	Thickness	Hole Dia.	Number of teeth
	D	T	d	NT
SSV100X040	100	4	31.75	20
SSV100X045	100	4.5	31.75	20
SSV100X050	100	5	31.75	20
SSV100X055	100	5.5	31.75	20
SSV100X060	100	6	31.75	20
SSV100X065	100	6.5	31.75	20
SSV100X070	100	7	31.75	20
SSV100X075	100	7.5	31.75	20
SSV100X080	100	8	31.75	20
SSV100X085	100	8.5	31.75	20
SSV100X090	100	9	31.75	20
SSV100X095	100	9.5	31.75	20
SSV100X100	100	10	31.75	20
SSV100X110	100	11	31.75	20
SSV100X120	100	12	31.75	20
SSV100X130	100	13	31.75	18
SSV100X140	100	14	31.75	18
SSV100X150	100	15	31.75	18
SSV100X160	100	16	31.75	18
SSV100X170	100	17	31.75	18
SSV100X180	100	18	31.75	18
SSV100X190	100	19	31.75	18
SSV100X200	100	20	31.75	18
SSV100X210	100	21	31.75	18
SSV100X220	100	22	31.75	18
SSV100X230	100	23	31.75	18
SSV100X240	100	24	31.75	18
SSV100X250	100	25	31.75	18
SSV100X260	100	26	31.75	18
SSV100X270	100	27	31.75	18
SSV100X280	100	28	31.75	18
SSV100X290	100	29	31.75	18
SSV100X300	100	30	31.75	18
SSV100X320	100	32	31.75	18
SSV100X350	100	35	31.75	18
SSV125X030	125	3	31.75	22
SSV125X035	125	3.5	31.75	22
SSV125X040	125	4	31.75	22
SSV125X045	125	4.5	31.75	22

CUTTER

คัตเตอร์



Cutter
คัตเตอร์

CUTTER

คัตเตอร์

Cutter

คัตเตอร์

Order No.	Size			
	Diameter	Thickness	Hole Dia.	Number of teeth
	D	T	d	NT
SSV125X050	125	5	31.75	22
SSV125X055	125	5.5	31.75	22
SSV125X060	125	6	31.75	22
SSV125X065	125	6.5	31.75	22
SSV125X070	125	7	31.75	22
SSV125X075	125	7.5	31.75	22
SSV125X080	125	8	31.75	22
SSV125X085	125	8.5	31.75	22
SSV125X090	125	9	31.75	22
SSV125X095	125	9.5	31.75	22
SSV125X100	125	10	31.75	22
SSV125X110	125	11	31.75	22
SSV125X120	125	12	31.75	22
SSV125X130	125	13	31.75	20
SSV125X140	125	14	31.75	20
SSV125X150	125	15	31.75	20
SSV125X160	125	16	31.75	20
SSV125X170	125	17	31.75	20
SSV125X180	125	18	31.75	20
SSV125X190	125	19	31.75	20
SSV125X200	125	20	31.75	20
SSV125X210	125	21	31.75	20
SSV125X220	125	22	31.75	20
SSV125X230	125	23	31.75	20
SSV125X240	125	24	31.75	20
SSV125X250	125	25	31.75	20
SSV125X260	125	26	31.75	20
SSV125X270	125	27	31.75	20
SSV125X280	125	28	31.75	20
SSV125X290	125	29	31.75	20
SSV125X300	125	30	31.75	20
SSV125X320	125	32	31.75	20
SSV125X350	125	35	31.75	20
SSV150X030	150	3	31.75	24
SSV150X035	150	3.5	31.75	24
SSV150X040	150	4	31.75	24
SSV150X045	150	4.5	31.75	24
SSV150X050	150	5	31.75	24
SSV150X055	150	5.5	31.75	24
SSV150X060	150	6	31.75	24
SSV150X065	150	6.5	31.75	24
SSV150X070	150	7	31.75	24
SSV150X075	150	7.5	31.75	24
SSV150X080	150	8	31.75	24
SSV150X085	150	8.5	31.75	24
SSV150X090	150	9	31.75	24
SSV150X095	150	9.5	31.75	24
SSV150X100	150	10	31.75	24
SSV150X110	150	11	31.75	24
SSV150X120	150	12	31.75	24
SSV150X130	150	13	31.75	22
SSV150X140	150	14	31.75	22
SSV150X150	150	15	31.75	22
SSV150X160	150	16	31.75	22
SSV150X170	150	17	31.75	22
SSV150X180	150	18	31.75	22
SSV150X190	150	19	31.75	22
SSV150X200	150	20	31.75	22
SSV150X210	150	21	31.75	22
SSV150X220	150	22	31.75	22
SSV150X230	150	23	31.75	22
SSV150X240	150	24	31.75	22
SSV150X250	150	25	31.75	22
SSV150X260	150	26	31.75	22
SSV150X270	150	27	31.75	22
SSV150X280	150	28	31.75	22
SSV150X290	150	29	31.75	22
SSV150X300	150	30	31.75	22
SSV150X320	150	32	31.75	22

Order No.	Size			
	Diameter	Thickness	Hole Dia.	Number of teeth
	D	T	d	NT
SSV150X350	150	35	31.75	22
SSV175X040	175	4	31.75	26
SSV175X050	175	5	31.75	26
SSV175X060	175	6	31.75	26
SSV175X070	175	7	31.75	26
SSV175X080	175	8	31.75	26
SSV175X090	175	9	31.75	26
SSV175X100	175	10	31.75	26
SSV175X110	175	11	31.75	26
SSV175X120	175	12	31.75	26
SSV175X130	175	13	31.75	24
SSV175X140	175	14	31.75	24
SSV175X150	175	15	31.75	24
SSV175X160	175	16	31.75	24
SSV175X170	175	17	31.75	24
SSV175X180	175	18	31.75	24
SSV175X190	175	19	31.75	24
SSV175X200	175	20	31.75	24
SSV175X220	175	22	31.75	24
SSV175X240	175	24	31.75	24
SSV175X250	175	25	31.75	24
SSV175X260	175	26	31.75	24
SSV175X280	175	28	31.75	24
SSV175X300	175	30	31.75	24
SSV175X320	175	32	31.75	24
SSV200X040	200	4	31.75	28
SSV200X050	200	5	31.75	28
SSV200X060	200	6	31.75	28
SSV200X070	200	7	31.75	28
SSV200X080	200	8	31.75	28
SSV200X090	200	9	31.75	28
SSV200X100	200	10	31.75	28
SSV200X110	200	11	31.75	28
SSV200X120	200	12	31.75	28
SSV200X130	200	13	31.75	26
SSV200X140	200	14	31.75	26
SSV200X150	200	15	31.75	26
SSV200X160	200	16	31.75	26
SSV200X170	200	17	31.75	26
SSV200X180	200	18	31.75	26
SSV200X190	200	19	31.75	26
SSV200X200	200	20	31.75	26
SSV200X220	200	22	31.75	26
SSV200X240	200	24	31.75	26
SSV200X250	200	25	31.75	26
SSV200X260	200	26	31.75	26
SSV200X280	200	28	31.75	26
SSV200X300	200	30	31.75	26
SSV200X320	200	32	31.75	26
SSV250X080	250	8	31.75	32
SSV250X090	250	9	31.75	32
SSV250X100	250	10	31.75	32
SSV250X110	250	11	31.75	32
SSV250X120	250	12	31.75	32
SSV250X130	250	13	31.75	30
SSV250X140	250	14	31.75	30
SSV250X150	250	15	31.75	30
SSV250X160	250	16	31.75	30
SSV250X170	250	17	31.75	30
SSV250X180	250	18	31.75	30
SSV250X190	250	19	31.75	30
SSV250X200	250	20	31.75	30
SSV250X220	250	22	31.75	30
SSV250X240	250	24	31.75	30
SSV250X250	250	25	31.75	30
SSV250X260	250	26	31.75	30
SSV250X280	250	28	31.75	30
SSV250X300	250	30	31.75	30
SSV250X320	250	32	31.75	30