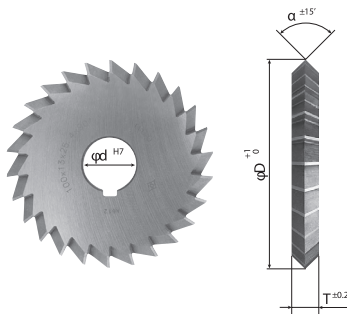


Order No. (Left hand cut)	Order No. (Right hand cut)	Size				
		Diameter	Thickness	Tip of the blade angle	Hole Dia.	Number of teeth
		D	T	α	d	NT
SACL100X18X030	SACR100X18X030	100	18	30°	25.4	26
SACL100X18X045	SACR100X18X045	100	18	45°	25.4	26
SACL100X18X050	SACR100X18X050	100	18	50°	25.4	26
SACL100X18X060	SACR100X18X060	100	18	60°	25.4	26
SACL100X20X040	SACR100X20X040	100	20	40°	25.4	26
SACL100X20X045	SACR100X20X045	100	20	45°	25.4	26
SACL100X20X050	SACR100X20X050	100	20	50°	25.4	26
SACL100X20X055	SACR100X20X055	100	20	55°	25.4	26
SACL100X20X060	SACR100X20X060	100	20	60°	25.4	26
SACL100X20X065	SACR100X20X065	100	20	65°	25.4	26
SACL100X20X070	SACR100X20X070	100	20	70°	25.4	26
SACL100X20X075	SACR100X20X075	100	20	75°	25.4	26
SACL100X20X080	SACR100X20X080	100	20	80°	25.4	26
SACL100X20X085	SACR100X20X085	100	20	85°	25.4	26
SACL100X25X045	SACR100X25X045	100	25	45°	25.4	26
SACL100X25X050	SACR100X25X050	100	25	50°	25.4	26
SACL100X25X060	SACR100X25X060	100	25	60°	25.4	26
SACL100X30X060	SACR100X30X060	100	30	60°	25.4	26
SACL125X13X030	SACR125X13X030	125	13	30°	25.4	30
SACL125X13X045	SACR125X13X045	125	13	45°	25.4	30
SACL125X13X060	SACR125X13X060	125	13	60°	25.4	30
SACL125X16X030	SACR125X16X030	125	16	30°	25.4	28
SACL125X16X045	SACR125X16X045	125	16	45°	25.4	28
SACL125X16X060	SACR125X16X060	125	16	60°	25.4	28
SACL125X18X045	SACR125X18X045	125	18	45°	25.4	28
SACL125X18X060	SACR125X18X060	125	18	60°	25.4	28
SACL125X20X030	SACR125X20X030	125	20	30°	25.4	28
SACL125X20X045	SACR125X20X045	125	20	45°	25.4	28
SACL125X20X060	SACR125X20X060	125	20	60°	25.4	28
SACL125X25X045	SACR125X25X045	125	25	45°	25.4	28
SACL125X25X060	SACR125X25X060	125	25	60°	25.4	28
SACL125X30X045	SACR125X30X045	125	30	45°	25.4	28
SACL125X30X060	SACR125X30X060	125	30	60°	25.4	28
SACL150X16X030	SACR150X16X030	150	16	30°	25.4	34
SACL150X16X045	SACR150X16X045	150	16	45°	25.4	34
SACL150X16X060	SACR150X16X060	150	16	60°	25.4	34
SACL150X18X045	SACR150X18X045	150	18	45°	25.4	32
SACL150X18X060	SACR150X18X060	150	18	60°	25.4	32
SACL150X20X030	SACR150X20X030	150	20	30°	25.4	32
SACL150X20X045	SACR150X20X045	150	20	45°	25.4	32
SACL150X20X060	SACR150X20X060	150	20	60°	25.4	32
SACL150X25X045	SACR150X25X045	150	25	45°	25.4	32
SACL150X25X060	SACR150X25X060	150	25	60°	25.4	32
SACL150X30X045	SACR150X30X045	150	30	45°	25.4	32
SACL150X30X060	SACR150X30X060	150	30	60°	25.4	32

ใบเลื่อยมุมแหลมคู่

DOUBLE ANGLE MILLING CUTTERS



Straight

- Wide variety of angles
- Uses MCO material (Cobalt high-speed steel)
- Double angle milling cutter

Order No.	Size				
	Diameter	Thickness	Tip of the blade angle	Hole Dia.	Number of teeth
	D	T	α	d	NT
WAC070X08X040	70	8	40°	25.4	22
WAC070X08X045	70	8	45°	25.4	22
WAC070X08X060	70	8	60°	25.4	22
WAC070X08X090	70	8	90°	25.4	22
WAC070X08X120	70	8	120°	25.4	22
WAC070X10X040	70	10	40°	25.4	22
WAC070X10X045	70	10	45°	25.4	22
WAC070X10X060	70	10	60°	25.4	22
WAC070X10X090	70	10	90°	25.4	22
WAC070X10X120	70	10	120°	25.4	22
WAC070X13X045	70	13	45°	25.4	22
WAC070X13X060	70	13	60°	25.4	22
WAC070X13X075	70	13	75°	25.4	22
WAC070X13X090	70	13	90°	25.4	22
WAC070X13X120	70	13	120°	25.4	22
WAC070X16X060	70	16	60°	25.4	22
WAC070X16X090	70	16	90°	25.4	22
WAC070X16X120	70	16	120°	25.4	22
WAC070X18X060	70	18	60°	25.4	22
WAC070X18X090	70	18	90°	25.4	22
WAC070X18X110	70	18	110°	25.4	22
WAC070X18X120	70	18	120°	25.4	22
WAC075X10X040	70	10	40°	25.4	22
WAC075X10X045	70	10	45°	25.4	22
WAC075X10X055	70	10	55°	25.4	22
WAC075X10X060	70	10	60°	25.4	22
WAC075X10X090	70	10	90°	25.4	22
WAC075X13X040	75	13	40°	25.4	22
WAC075X13X045	75	13	45°	25.4	22
WAC075X13X050	75	13	50°	25.4	22
WAC075X13X055	75	13	55°	25.4	22
WAC075X13X060	75	13	60°	25.4	22
WAC075X13X065	75	13	65°	25.4	22
WAC075X13X070	75	13	70°	25.4	22
WAC075X13X075	75	13	75°	25.4	22
WAC075X13X080	75	13	80°	25.4	22
WAC075X13X085	75	13	85°	25.4	22
WAC075X13X090	75	13	90°	25.4	22
WAC075X13X100	75	13	100°	25.4	22
WAC075X13X110	75	13	110°	25.4	22
WAC075X13X120	75	13	120°	25.4	22
WAC075X16X045	75	16	45°	25.4	22
WAC075X16X060	75	16	60°	25.4	22
WAC075X16X090	75	16	90°	25.4	22
WAC075X16X120	75	16	120°	25.4	22
WAC075X18X060	75	18	60°	25.4	22
WAC075X18X075	75	18	75°	25.4	22
WAC075X18X090	75	18	90°	25.4	22
WAC075X18X120	75	18	120°	25.4	22
WAC100X13X045	100	13	45°	25.4	26
WAC100X13X055	100	13	55°	25.4	26
WAC100X13X060	100	13	60°	25.4	26
WAC100X13X080	100	13	80°	25.4	26
WAC100X13X090	100	13	90°	25.4	26
WAC100X13X100	100	13	100°	25.4	26
WAC100X13X120	100	13	120°	25.4	26
WAC100X16X045	100	16	45°	25.4	26
WAC100X16X050	100	16	50°	25.4	26
WAC100X16X055	100	16	55°	25.4	26
WAC100X16X060	100	16	60°	25.4	26
WAC100X16X090	100	16	90°	25.4	26
WAC100X16X110	100	16	110°	25.4	26
WAC100X16X120	100	16	120°	25.4	26
WAC100X18X045	100	18	45°	25.4	26
WAC100X18X060	100	18	60°	25.4	26
WAC100X18X090	100	18	90°	25.4	26
WAC100X18X120	100	18	120°	25.4	26
WAC100X20X045	100	20	45°	25.4	26
WAC100X20X050	100	20	50°	25.4	26
WAC100X20X055	100	20	55°	25.4	26

Order No.	Size				
	Diameter	Thickness	Tip of the blade angle	Hole Dia.	Number of teeth
	D	T	α	d	NT
WAC100X20X060	100	20	60°	25.4	26
WAC100X20X065	100	20	65°	25.4	26
WAC100X20X070	100	20	70°	25.4	26
WAC100X20X075	100	20	75°	25.4	26
WAC100X20X080	100	20	80°	25.4	26
WAC100X20X085	100	20	85°	25.4	26
WAC100X20X090	100	20	90°	25.4	26
WAC100X20X100	100	20	100°	25.4	26
WAC100X20X110	100	20	110°	25.4	26
WAC100X20X120	100	20	120°	25.4	26
WAC100X25X045	100	25	45°	25.4	26
WAC100X25X060	100	25	60°	25.4	26
WAC100X25X090	100	25	90°	25.4	26
WAC100X25X100	100	25	100°	25.4	26
WAC100X25X120	100	25	120°	25.4	26
WAC100X30X060	100	30	60°	25.4	26
WAC100X30X090	100	30	90°	25.4	26
WAC100X30X120	100	30	120°	25.4	26
WAC125X13X060	125	13	60°	25.4	30
WAC125X13X090	125	13	90°	25.4	30
WAC125X13X110	125	13	110°	25.4	30
WAC125X13X120	125	13	120°	25.4	30
WAC125X16X060	125	16	60°	25.4	28
WAC125X16X090	125	16	90°	25.4	28
WAC125X16X120	125	16	120°	25.4	28
WAC125X18X045	125	18	45°	25.4	28
WAC125X18X060	125	18	60°	25.4	28
WAC125X18X090	125	18	90°	25.4	28
WAC125X18X120	125	18	120°	25.4	28
WAC125X20X045	125	20	45°	25.4	28
WAC125X20X060	125	20	60°	25.4	28
WAC125X20X090	125	20	90°	25.4	28
WAC125X20X120	125	20	120°	25.4	28
WAC125X25X060	125	25	60°	25.4	28
WAC125X25X090	125	25	90°	25.4	28
WAC125X25X120	125	25	120°	25.4	28
WAC125X30X045	125	30	45°	25.4	28
WAC125X30X060	125	30	60°	25.4	28
WAC125X30X090	125	30	90°	25.4	28
WAC125X30X120	125	30	120°	25.4	28
WAC150X16X045	150	16	45°	25.4	34
WAC150X16X060	150	16	60°	25.4	34
WAC150X18X045	150	18	45°	25.4	32
WAC150X18X060	150	18	60°	25.4	32
WAC150X18X090	150	18	90°	25.4	32
WAC150X18X120	150	18	120°	25.4	32
WAC150X20X045	150	20	45°	25.4	32
WAC150X20X060	150	20	60°	25.4	32
WAC150X20X090	150	20	90°	25.4	32
WAC150X25X045	150	25	45°	25.4	32
WAC150X25X060	150	25	60°	25.4	32
WAC150X25X090	150	25	90°	25.4	32
WAC150X25X120	150	25	120°	25.4	32
WAC150X30X060	150	30	60°	25.4	32
WAC150X30X090	150	30	90°	25.4	32
WAC150X30X120	150	30	120°	25.4	32

CUTTER
คัตเตอร์
Cutter
คัตเตอร์