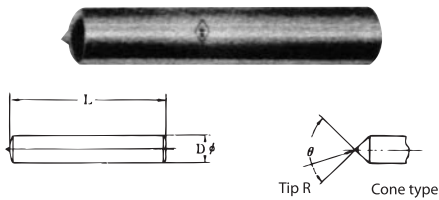




A Single stone dresser's form and size

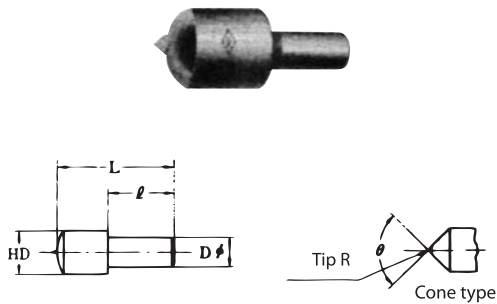
NS-1 (AIA)



D°	L
6	30
8	30 • 50
9	50 • 100

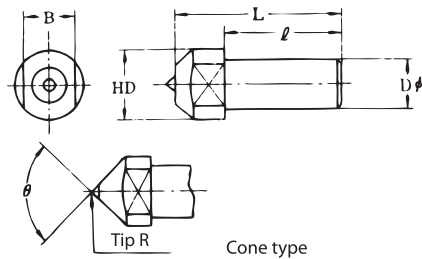
D°	L
10	50 • 100
11	50 • 100
12	50 • 100

NS-2 (AIG)



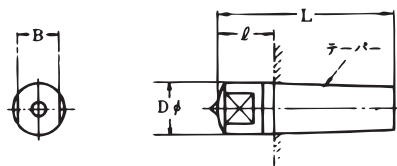
D°	HD	L	ℓ
3	4	20	12
6	12	25	12
8	12	25	15
10	14	25	15
11	16	35	20

NS-3 (A2H)



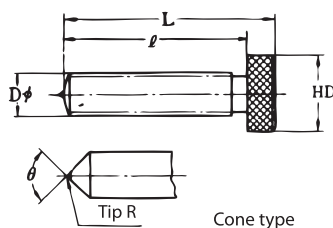
D°	HD	L	ℓ
6	12	27 • 35	12 • 20
8	12	26	16
9	12	35	20
10	16	35 • 40	20 • 25

NS-4 (AIM)



D°	L	ℓ	B	Taper
6.35	26	3.6	5	1/50
8.73	33	9	7	1/50
9.05	32	8	8	MT#0
12.06	38	8	10	MT#1

NS-5 (AIU)



D°-Threads per inch	HD	L	ℓ
7.93 - (24)	13	51	43
9.52 - (24)	15	57	49
9.52 - (24)	16	65	57
9.52 - (24)	19	44.5	32

Wheel

Sintered
Compact Tool

Electrolytic
Deposition
Tools

File